

SPECIFICATIONS:

POWER RATING: 50 WATTS

- WHEN MOUNTED TO A HEAT SINK
CAPABLE OF MAINTAINING A CASE
TEMPERATURE AT OR BELOW 100°C.

FREQUENCY RANGE: DC TO 6 GHz

VSWR: DC TO 3 GHz AT 1.15:1 MAX.

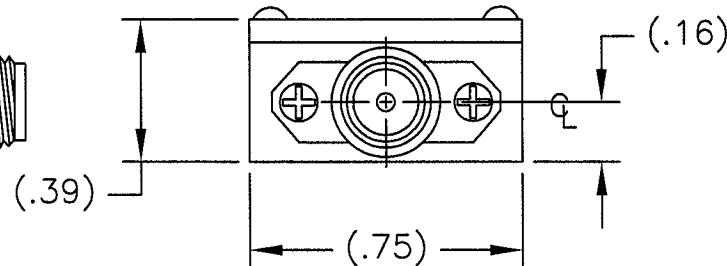
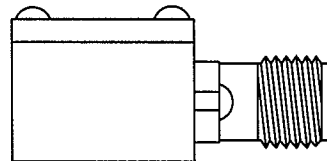
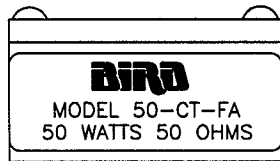
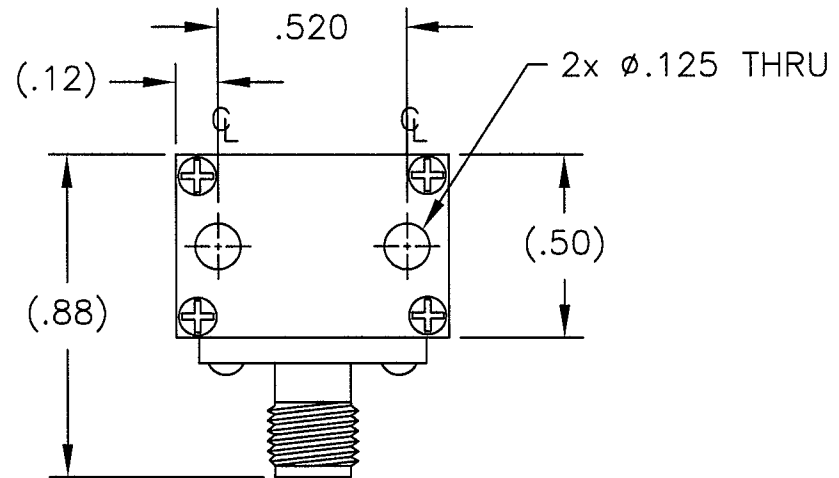
3 GHz TO 6 GHz AT 1.25:1 MAX.

CONNECTOR: SMA FEMALE

FINISH: BODY: SILVER OR TRI-ALLOY PLATED

CONNECTOR: GOLD PLATED

REVISIONS		DWG. NO.	50-CT-FA	SHEET	REV
ZONE	REV	DESCRIPTION	DATE	1	B
	A	CONVERT TO BEC FORMAT	DMR	6-4-03	<i>MRJ</i>
	B	ADD BACK & SIDE VIEWS/ECO 12093	DMR	3-8-04	<i>MRJ</i>



UNLESS OTHERWISE SPECIFIED
DIMENSIONS ARE IN INCHES
TOLERANCES ARE:

FRACTIONS DECIMALS ANGLES
± 1/64 .XX = ± .010 ± 30'
.XXX = ± .005

DO NOT SCALE DRAWING

MILLIMETERS

.X = ± .4
.XX = ± .12

THIS DRAWING IS THE PROPERTY OF THE BIRD ELECTRONIC CORPORATION. THE DESIGNS AND SPECIFICATIONS DISCLOSED HEREON ARE PROPRIETARY AND SHALL NOT BE REPRODUCED, NOR COPIED, NOR USED AS THE BASIS FOR THE MANUFACTURE OR SALE OF APPARATUS OR DEVICES WITHOUT THEIR EXPRESS WRITTEN CONSENT.



BIRD Electronic Corporation
Cleveland (Solon) Ohio USA

APPROVALS		DATE	TITLE		
DRAWN	D.M.RINK	6-4-03	TERMINATION, CONDUCTION COOLED SMA FEMALE, 50W		
CHECKED			SIZE	FSCM NO.	DWG. NO.
APPROVED	<i>MARK V</i>	<i>3-31-04</i>	A	70998	50-CT-FA
		AUTOCAD	SCALE	1:1	COMM CODE LD1
			SHEET	1 OF 1	